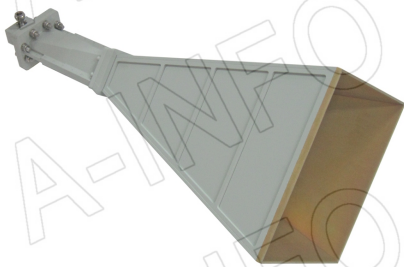


For reference only. See data sheet for the detailed specifications.

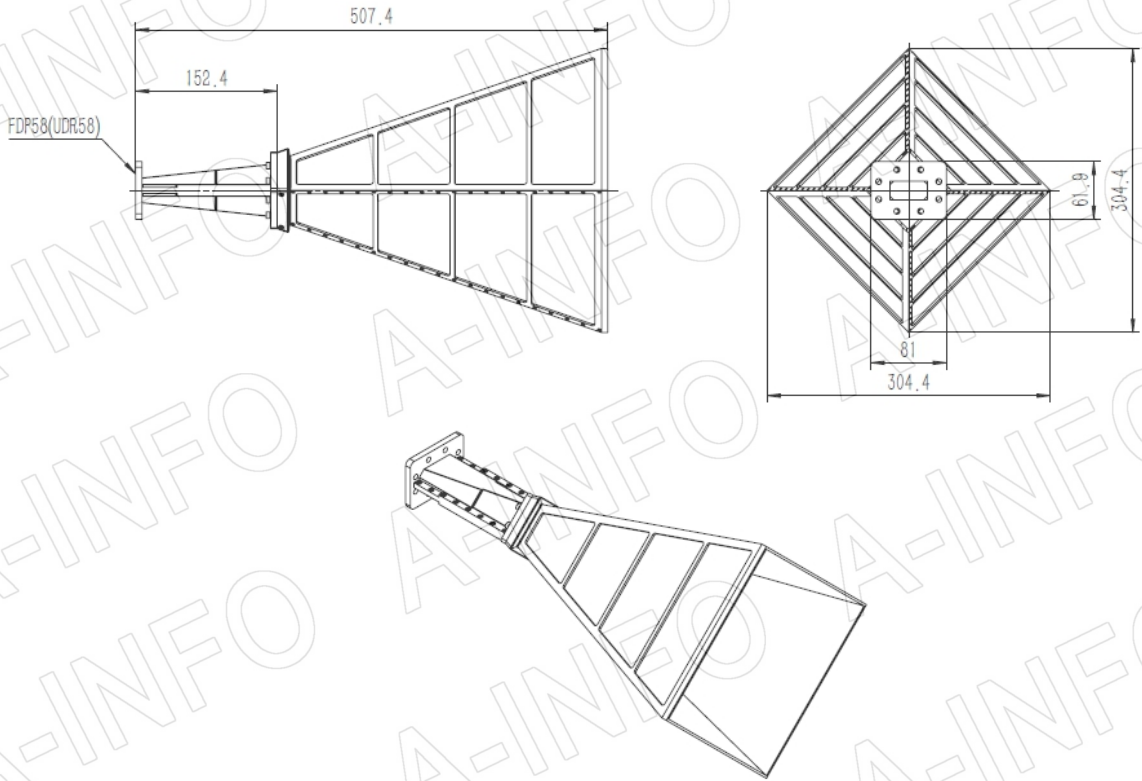
Technical Specification



Frequency Range(GHz)	4.90 – 7.05
Waveguide	WR159
Gain(dBi)	20 Typ.
Polarization	Linear
3dB Beamwidth(deg)	E Plane: 15 Typ.
	H Plane: 15 Typ.
Side Lobe Level(dB)	E Plane: 30 Min.
	H Plane: 35 Min.
Cross Pol. Isolation(dB)	40 Typ.
VSWR	A Type: 1.20:1 Max.
	C Type: 1.50:1 Max.
Output	A Type: FDP58(UDR58)
	C Type: N-Female or SMA-Female or TNC-Female or 7mm or 3.5mm-Female
Material	Al
Finish	Chemical Conversion Coating, Gray Paint
Size(mm)	A Type: 304.4 x 304.4 x 507.4
	C Type: 304.4 x 304.4 x 557.4
Net Weight(Kg)	A Type: 1.44 Around
	C Type: 1.66 Around

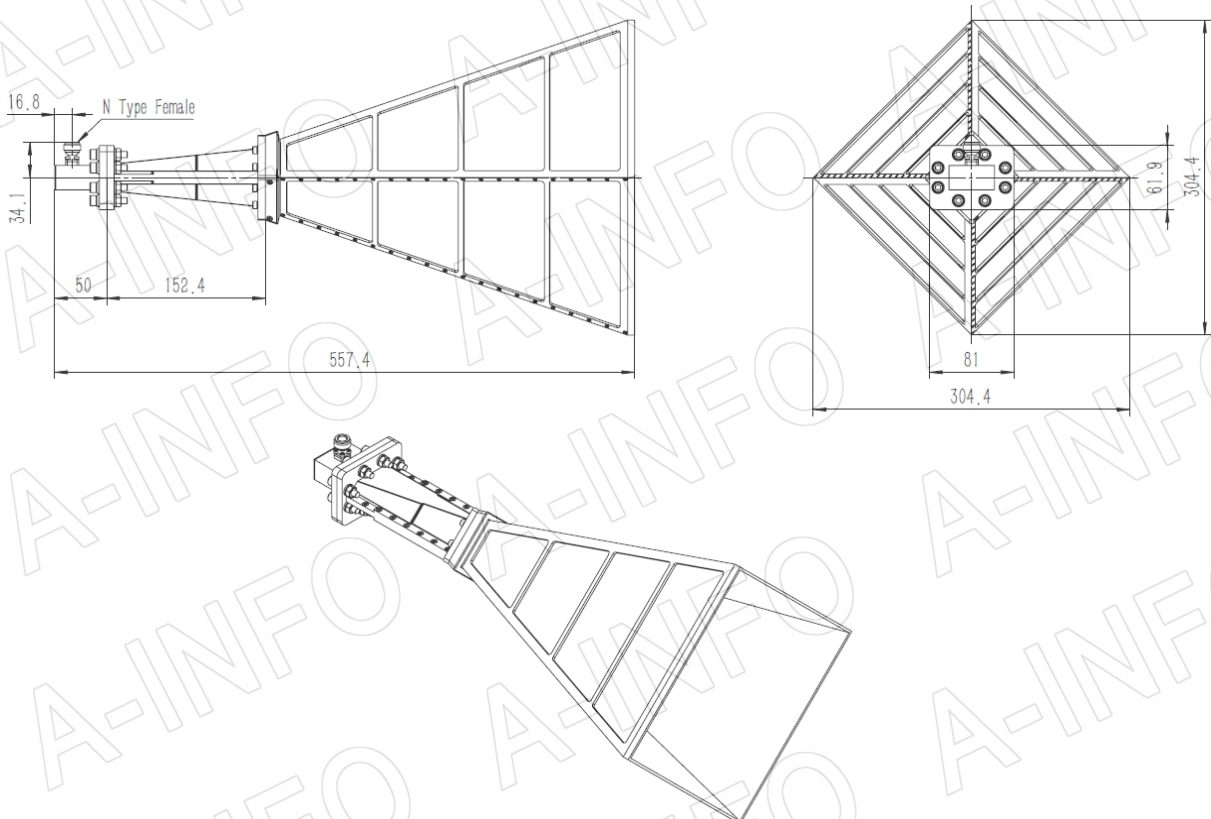
Outline Drawing (Size: mm)

FDP58 Output (P/N: LB-DG-159-20-A)



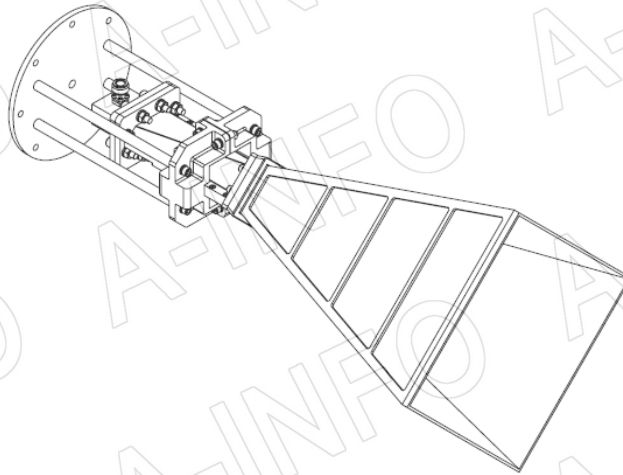
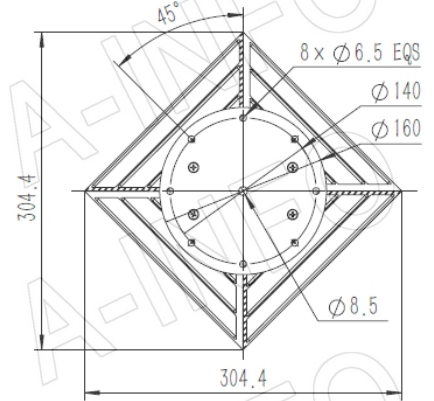
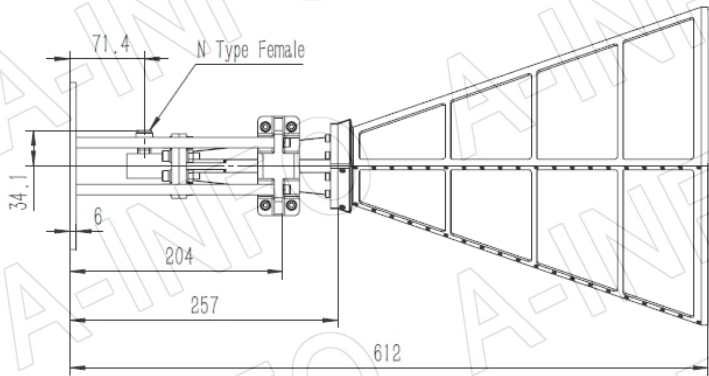
N-Female Output (P/N: LB-DG-159-20-C-NF)

For SMA-Female, TNC- Female, 7mm or 3.5mm-Female output outline drawing, please contact A-INFO.

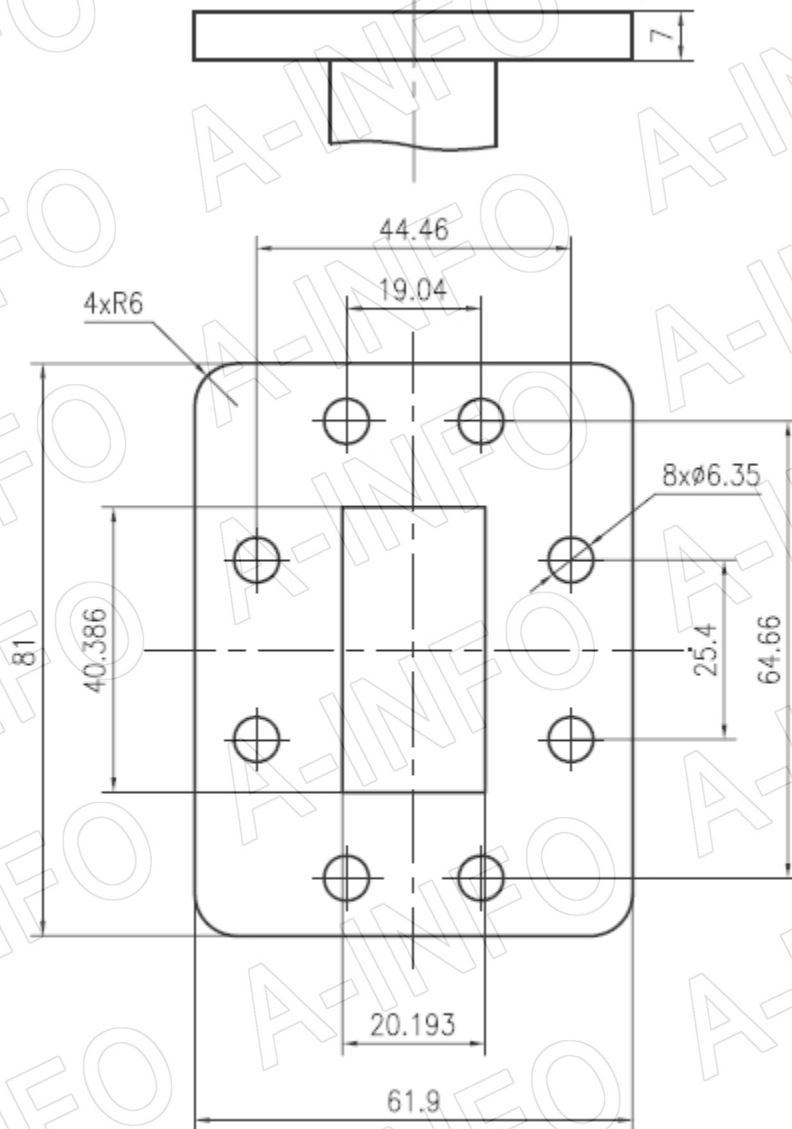


N-Female Output with Round Mounting Bracket (Option, P/N: LB-DG-159-15-MB)

For SMA-Female, TNC- Female, 7mm or 3.5mm-Female output outline drawing, please contact A-INFO.



Flange Drawing (Size: mm)



FDP58

AINFO Inc.

China(Beijing): Tel: (+86) 10-6266-7326,
China(Chengdu): Tel: (+86) 28-8519-2786,
USA : Tel: (+1) 949-639-9688,

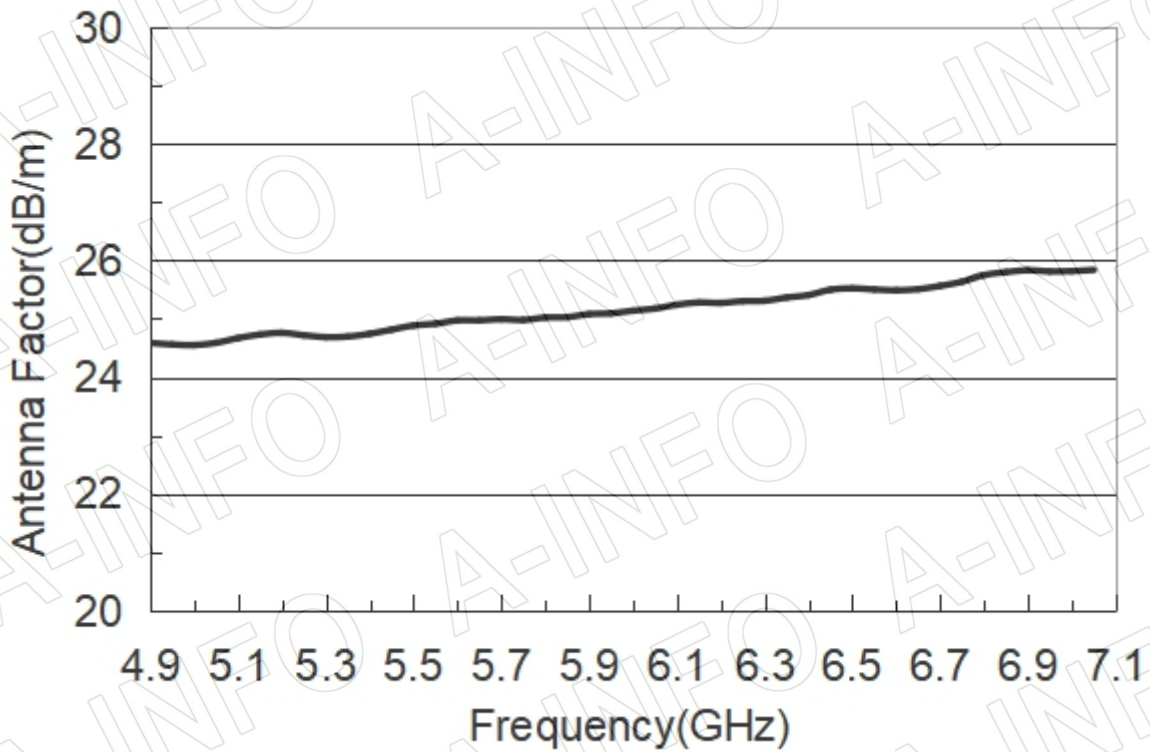
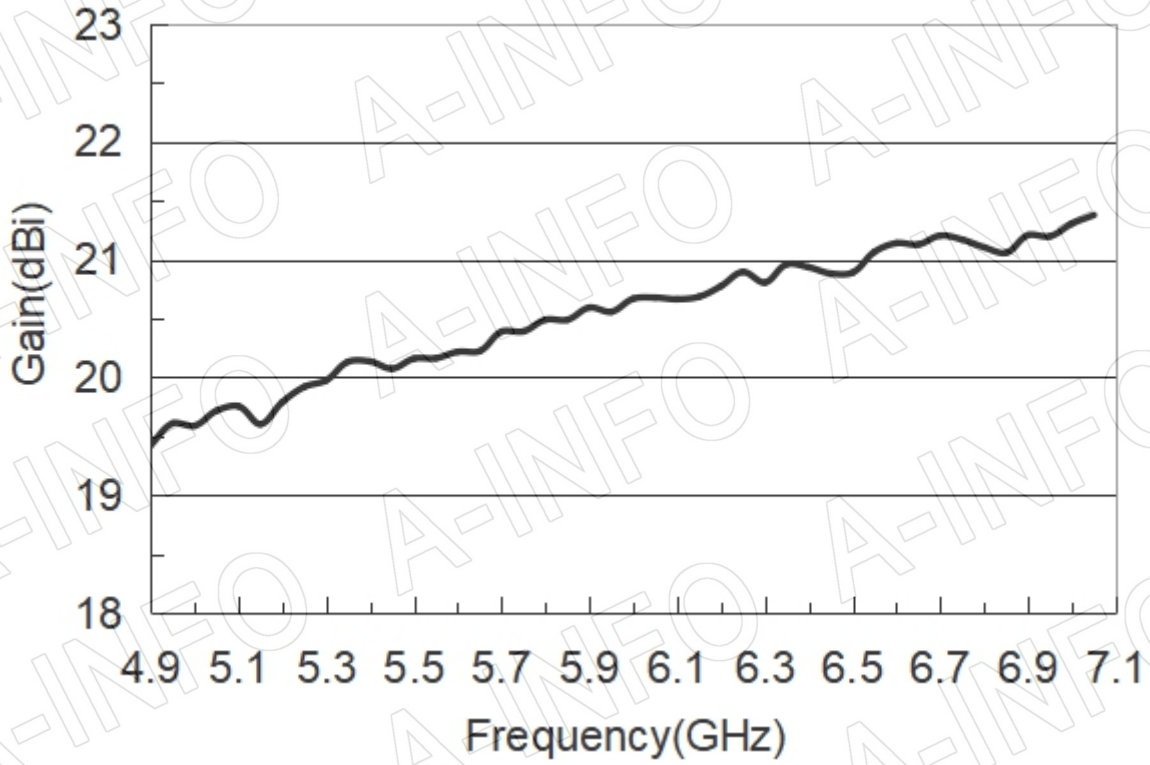
Page 4 of 8

(+86) 10-6266-7327 Fax: (+86) 10-6266-7379
(+86) 28-8519-3044 Fax: (+86) 28-8519-3068
(+1) 949-639-9608 Fax: (+1) 949-639-9670

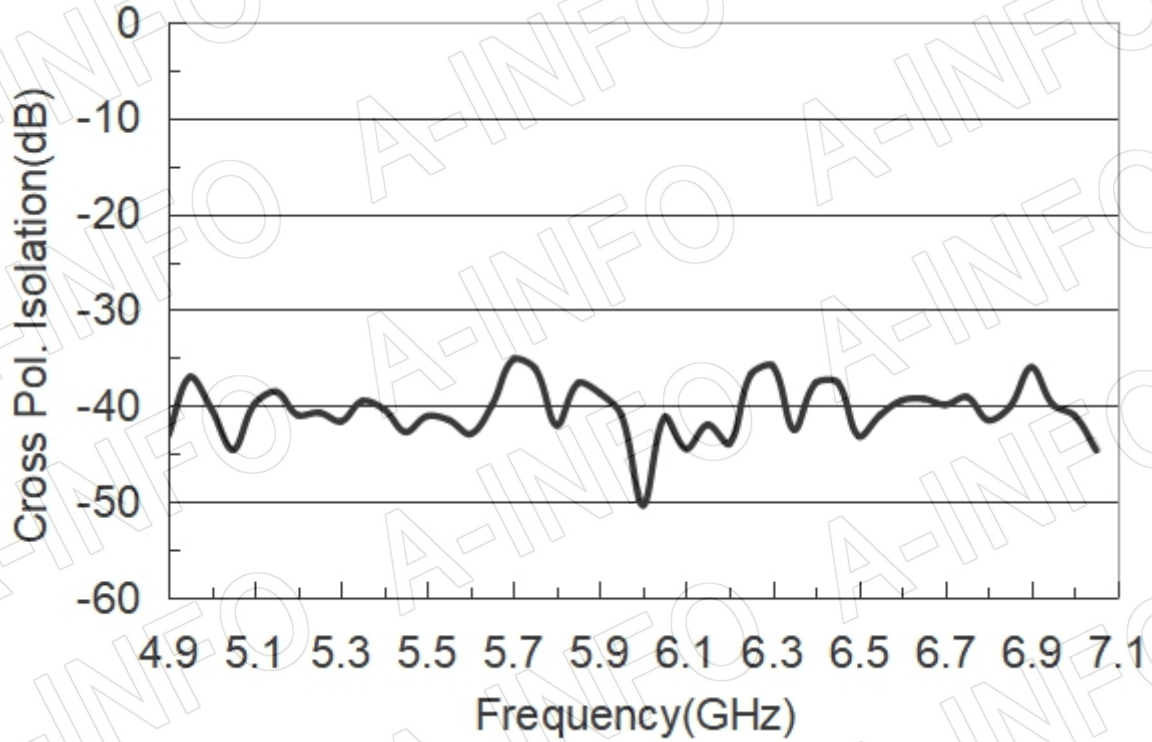
Website: www.ainfoinc.com
Email: sales@ainfoinc.com

Test Results

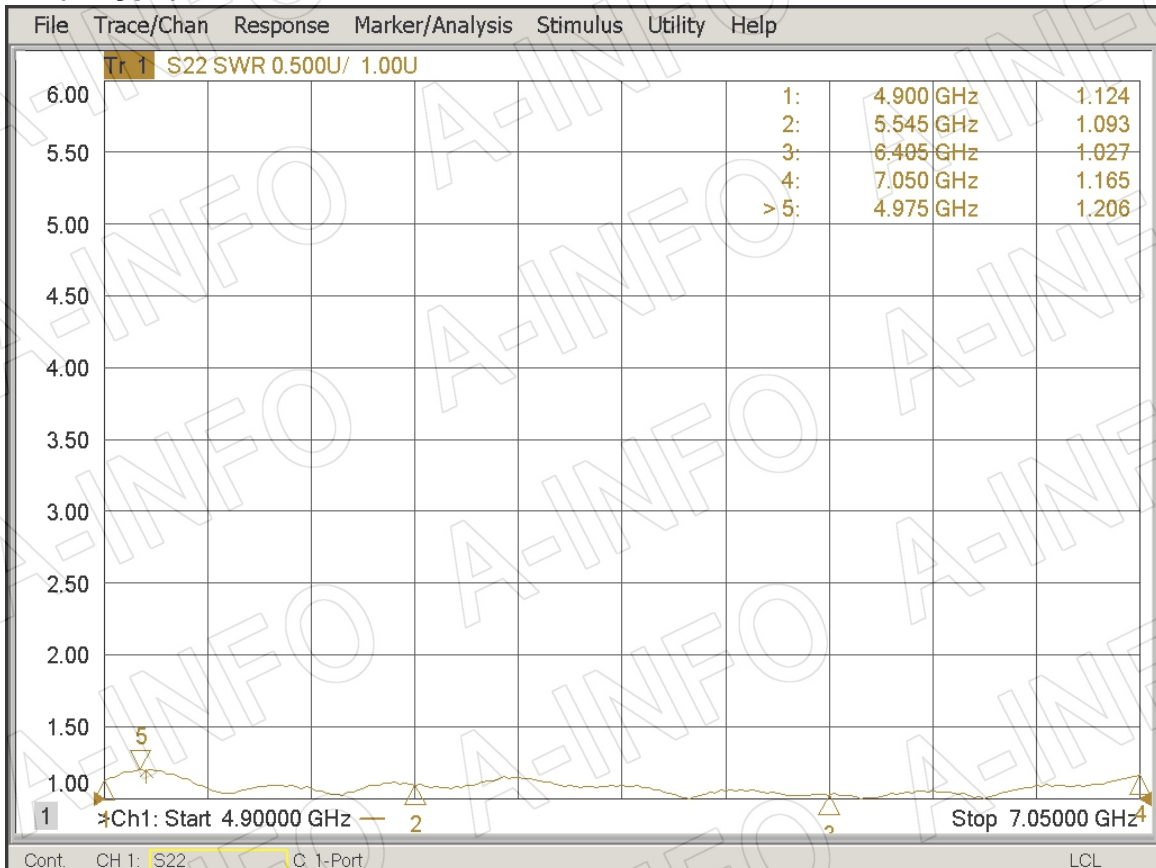
1. Gain & Antenna Factor



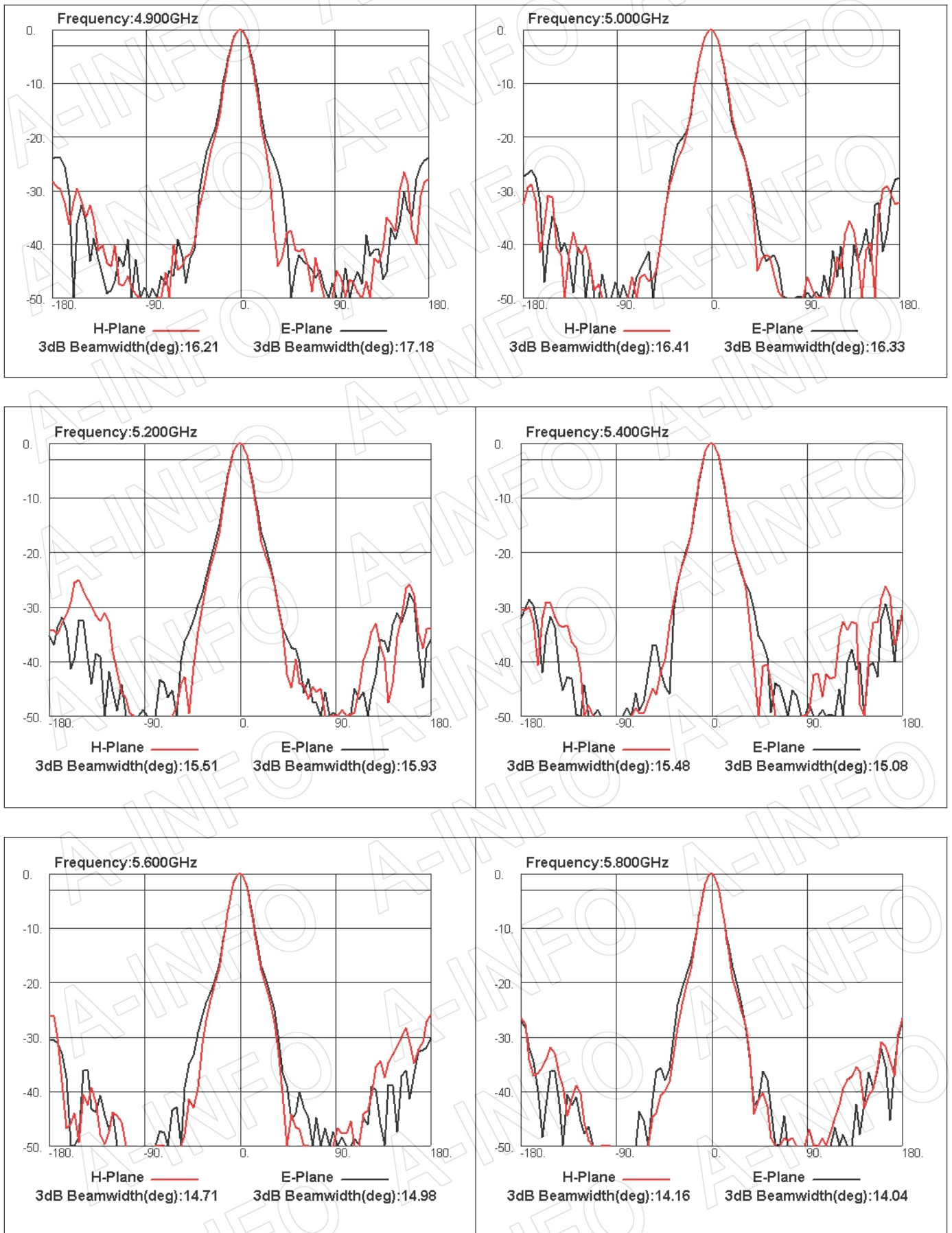
2. Cross Polarization Isolation



3. VSWR(C Type)



4. Pattern



AINFO Inc.

China(Beijing):
China(Chengdu):
USA :

Tel: (+86) 10-6266-7326,
Tel: (+86) 28-8519-2786,
Tel: (+1) 949-639-9688,

(+86) 10-6266-7327
(+86) 28-8519-3044
(+1) 949-639-9608

Page 7 of 8

Fax: (+86) 10-6266-7379
Fax: (+86) 28-8519-3068
Fax: (+1) 949-639-9670

Website: www.ainfoinc.com
Email: sales@ainfoinc.com

